

Jobsite Dispenser – ST400

Heavy duty, yet light enough to carry. Handy, portable dispenser easily dispenses 3/8" to 3/4" ribbon coils of stainless or *Steelbinder*® black strapping. Brackets hold tensioning and cutting tool, covered tray carries seals. Handle is provided for portability. 18" high, can be shipped UPS.

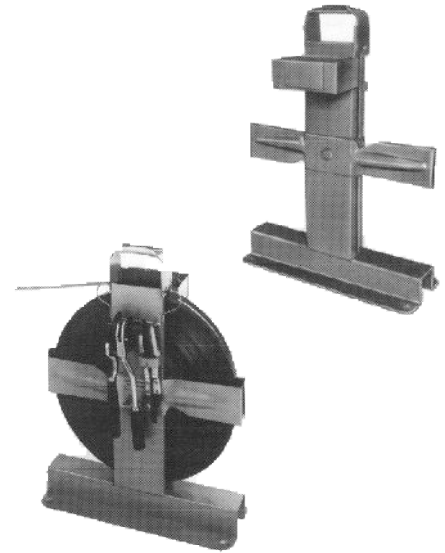
Catalog No.	EDP No.	Description	Weight (Each)	
			(Lbs.)	(Kg.)
ST400	00400	Portable Strap Dispenser	15.0	6.8

JOBSITE DISPENSER WITH TOOLS (COMBINATION UNIT) – ST00101

Heavy duty, yet light enough to carry. A convenient strapping kit containing the ST400 dispenser, ST101 tensioner and ST502 cutter. Order strap and seals separately to suit your specific needs. Light enough to carry but can be mounted on truckbeds or in tool sheds. 18" high, can be shipped UPS. Tools available separately. (Strap not included.)

Catalog No.	EDP No.	Description	Weight (Each)	
			(Lbs.)	(Kg.)
ST00101	00101	Portable Strap Dispenser, ST101 Tensioner, ST502 Cutter	27.0	12.2

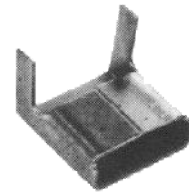
Refer to page #4 for the ST-101 and ST-111 Tools and page #17 for the ST-502 Cutter.



Jobsite *Steelbinder*® Black/Galvanized Strapping Wing Seals

For general packaging, bundling and palletizing. Use with Jobsite *Steelbinder*® black strapping and the ST101 Tensioner. Fast and easy to close in any position with the ST101 Tensioner or ST502 cutter.

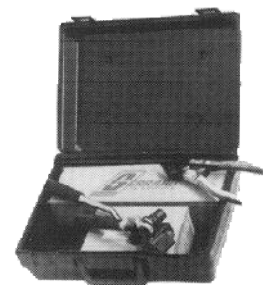
Catalog No.	EDP No.	Size	Description	Qty./Box	Wt. (Lbs.)
					Each
ST201W	00201	3/8"	Steel	2500	20.0
ST202W	00202	1/2"	Steel	2500	25.0
ST203 GB	01203	5/8"	Galvanized	2500	43.0
ST203W	00203	5/8"	Steel	2500	43.0
ST204W	00204	3/4"	Steel	2500	50.0
ST204 GB	01204	3/4"	Galvanized	2500	50.0
ST201-100	20110	3/8"	Steel	100	0.9
ST202-100	20210	1/2"	Steel	100	1.5
ST203-100	20310	5/8"	Steel	100	1.8
ST204-100	20410	3/4"	Steel	100	2.6



Jobsite *Steelbinder*® Kit – ST158

Keep all your strapping items at hand with the sturdy polyethylene case containing the ST101 Tensioner and ST502 cutter. Space provided for boxed 200' "SC" Econo Coils of stainless steel, *Steelbinder*® black strapping, or order strap separately to suit specific requirements. Case available separately, Model ST458. Can be shipped UPS. (Strap not included.)

Catalog No.	EDP No.	Description	Weight (Each)	
			(Lbs.)	(Kg.)
ST158	00158	Polyethylene Case containing the 101 Tensioner and 502 Cutter.	6.0	27
ST458	00458	Polyethylene Case	2.0	.09



Insulation Tensioner – ST1902-D

INSUL TENSIONER – ST1902-D

Fast, reliable, easy to use tensioner for light duty applications and 3/8" – 3/4" x .023" max strapping. Re-settable rack for additional take-up. One hand pistol grip operation is great for insulation and pipe covering use.

Catalog No.	EDP No.	Description	Weight (Each)	
			(Lbs.)	(Kg.)
ST1902-D	01902	Pistol Grip Tensioner	2.5	1.1

**ATTN:
PETRO-CHEMICAL
SUPPLY HOUSES!**

